

St Clare Engineering Ltd (Grab-O-Matic)

Unit 1, Brookwood Industrial Estate

Brookwood Avenue

Eastleigh, Hampshire UK

SO50 9EY.

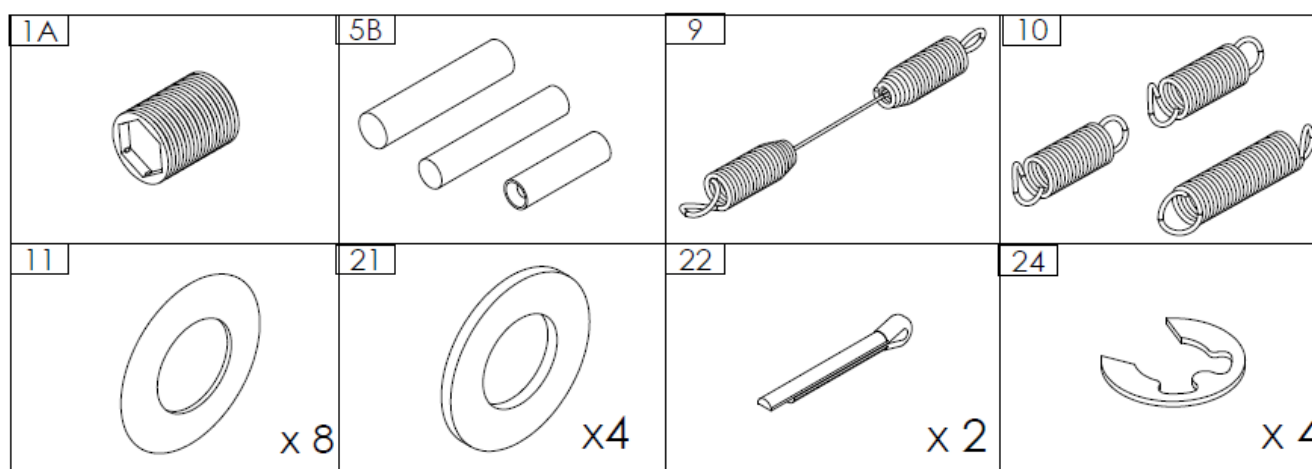
Tel: 00 44 (0) 2380 643402 Fax: 00 44 (0) 2380 642189

Email: sales@stclare-engineering.co.uk

www.stclare-engineering.co.uk



Grab-O-Matic Basic Service Kit



1A	Grub Screw
5B	Pins (i) 1/2" Dia Pin (ii) 3/8" Dia Pin (iii) 3/8" Dia C/Snk Pin
9.	Main Spring 'A'
10.	Small Springs - 10a Medium Spring 'B' 68mm 10b Small Spring 'C' 50mm
11.	Bell Washers
21.	Washers
22.	Split pins
24.	C Clips

Please Note: From Head Nos 14000 onwards a roll pin replaces the grub screw

THE ONLY WORLDWIDE MANUFACTURER OF GRAB-O-MATIC DRUM HANDLING FORK ATTACHMENTS

Distributors in: Europe, U.A.E, Australia, Thailand, Pakistan