

St Clare Engineering Ltd (Grab-O-Matic)

Unit 1, Brookwood Industrial Estate
 Brookwood Avenue
 Eastleigh, Hampshire UK
 SO50 9EY.



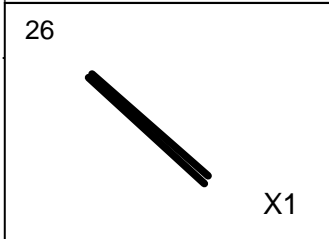
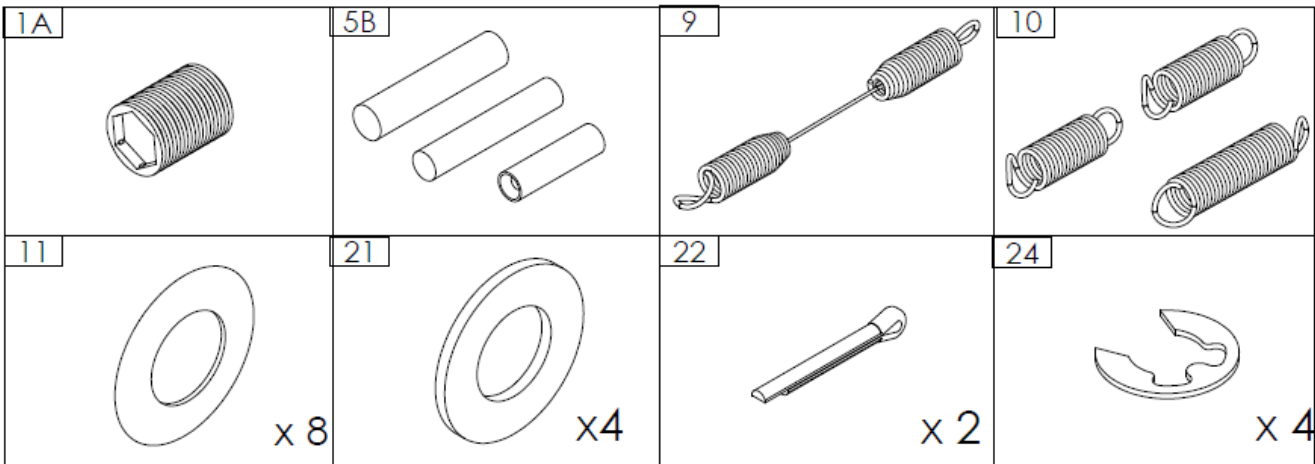
Tel: 00 44 (0) 2380 643402 Fax: 00 44 (0) 2380 642189

Email: sales@stclare-engineering.co.uk

www.stclare-engineering.co.uk



**GRAB-O-MATIC
 SINGLE HEAD HD-1 BASIC SERVICE
 KIT**



- | | | |
|-----|-----------------|----------------------------|
| 1A | Grub Screw | 6mm long |
| 5B | Pins | (i) 1/2" Dia Pin |
| | | (ii) 3/8" Dia Pin |
| | | (iii) 3/8" Dia C/Snk Pin |
| 9. | Main Spring 'A' | |
| 10. | Small Springs - | 10a Medium Spring 'B' 68mm |
| | | 10b Small Spring 'C' 50mm |
| 11. | Bell Washers | |
| 21. | Washers | |
| 22. | Split pins | |
| 24. | C Clips | |
| 26. | Roll pin | |

Please Note: From Head Nos 14000 onwards a roll pin (Pt No GOM 26) replaces the grub screw

THE ONLY WORLDWIDE MANUFACTURER OF GRAB-O-MATIC DRUM HANDLING FORK ATTACHMENTS

Distributors in: Europe, U.A.E, Australia, Thailand, Pakistan