

St Clare Engineering Ltd (Grab-O-Matic)
 Unit 1, Brookwood Industrial Estate
 Brookwood Avenue
 Eastleigh, Hampshire UK
 SO50 9EY.

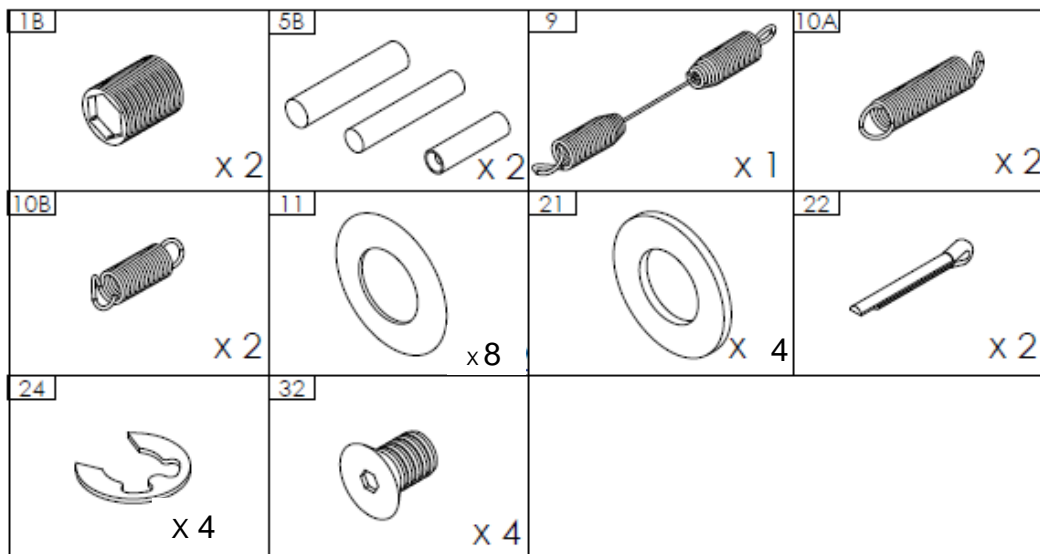
Tel: 00 44 (0) 2380 643402 Fax: 00 44 (0) 2380 642189

Email: sales@stclare-engineering.co.uk

Website: www.stclare-engineering.co.uk



**GRAB-O-MATIC TWIN HEAD HD-4
 BASIC SERVICE KIT**



1B	Long Grub Screw 10 mm
5B	Pins (i) 1/2" Dia Pin (ii) 3/8" Dia Pin (iii) 3/8" Dia C/Snk Pin
9.	Main Spring 'A'
10a	Medium Spring 'B' 68mm
10b	Small Spring 'C' 50mm
11.	Bell Washers
21.	Washers
22.	Split pins
24.	C Clips
32.	Twin Head Plate Grub

THE ONLY WORLDWIDE MANUFACTURER OF GRAB-O-MATIC DRUM HANDLING FORK ATTACHMENTS
Distributors in: Europe, U.A.E, Australia, Thailand, Pakistan